



***Discontinued Jets***

## 200 Series Hurricane Jets

---

- Fits 2" Hurricane Body Style
- Adjustable Flow
- Popular Body Styles
- 3 Different Face Styles
  - Smooth
  - 5-Scallop; Textured
  - Stainless Steel

### Directional 2" Hurricane Jet Internals

*1000 per box / 50 per bag*



23514-017-000  
Smooth



23515-111-000  
5-Scallop; Textured



23514-012-000  
Stainless Steel

### Rotational 2" Hurricane Jet Internals

*1000 per box / 50 per bag*



23514-027-000  
Smooth



23515-121-000  
5-Scallop; Textured



23514-022-000  
Stainless Steel

## 200 Series Hurricane Jets

### 200s Hurricane Jet Bodies

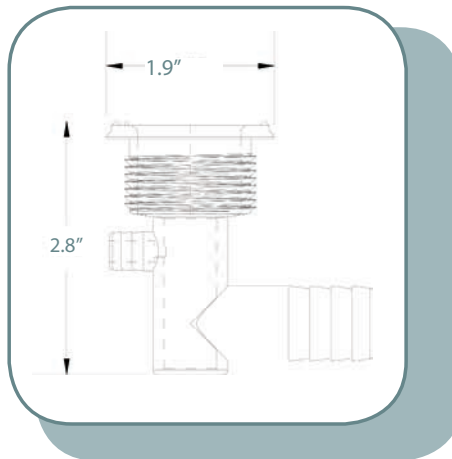
400 per box / 50 per bag

- Opposite Side Water and Air Connections
- Compensator Ring and Gasket Sold Separately
- Fits 2" Hurricane Jet Internals
- Max Torque Value: 15.5 ft lbs.
- Hole Size: 1-1/2"



#### Bodies:

|            |                             |
|------------|-----------------------------|
| 23401-000  | 3/4" RB Water x 3/8" RB Air |
| 23401-100  | 1/2" S Water x 3/8" RB Air  |
| 23401-200* | 3/4" S Water x 3/8" SB Air  |



### Accessories



**200s Compression Seal**  
1000 per box  
26200-234-011



**200s L-Gasket**  
1000 per box  
23401-000-030



**200s Compensator Ring**  
2000 per box / 50 per bag  
23401-000-050



**200s Jet Wrench**  
100 per box  
23401-000-100

\*Indicates special order only parts

## 300 Series Hurricane Jets

---

- Fits 3" and 4" Hurricane Body Style
- Adjustable Flow
- 3 Different Face Styles:
  - Smooth
  - 5-Scallop; Textured
  - Stainless Steel

### Directional 3" Hurricane Jet Internals

300 per box / 50 per bag



23534-017-000  
Smooth



23535-111-000  
5-Scallop; Textured



23534-012-000  
Stainless Steel

### Rotational 3" Hurricane Jet Internals

300 per box / 50 per bag



23534-027-000  
Smooth



23535-121-000  
5-Scallop; Textured



23534-022-000  
Stainless Steel

### Pulsator 3" Hurricane Jet Internals

300 per box / 50 per bag



23534-031-000  
Smooth



23535-131-000  
5-Scallop; Textured



23534-032-000  
Stainless Steel

## 300 Series Hurricane Jets

### 300s Hurricane Jet Bodies

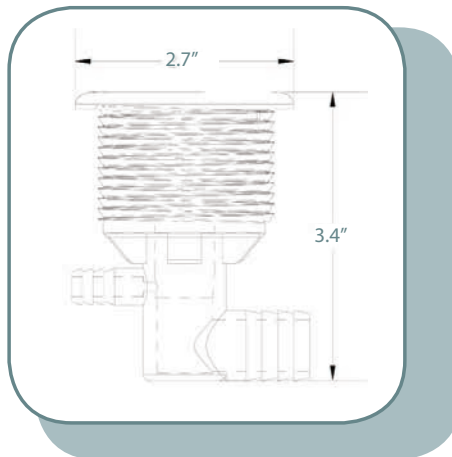
180 per box / 20 per bag

- Opposite Side Water and Air Connections
- Compensator Ring and Gasket Sold Separately
- Fits 3" and 4" Hurricane Jet Internals
- Max Torque Value: 19.9 ft lbs.
- Hole Size: 2-1/8"  
2-5/16" (with L-Gasket)



#### Bodies:

23431-000    3/4" RB Water x 3/8" RB Air  
23431-200    3/4" SB Water x 3/8" SB Air



### Accessories



**300s L-Gasket**  
1700 per box  
23431-000-030



**300s Compensator Ring**  
23431-000-050



**300s and 400s Jet Wrench**  
23431-000-100

## 400 Series Hurricane Jets

### Directional 4" Hurricane Jet Internals

200 per box / 20 per bag



23544-017-000  
Smooth



23545-111-000  
5-Scallop; Textured



23544-012-000  
Stainless Steel

### Rotational 4" Hurricane Jet Internals

200 per box / 20 per bag



23544-027-000  
Smooth



23545-121-000  
5-Scallop; Textured



23544-022-000  
Stainless Steel

### Pulsator 4" Hurricane Jet Internals

200 per box / 20 per bag



23544-047-000\*  
Smooth



23545-141-000  
5-Scallop; Textured



23544-042-000  
Stainless Steel

### Massage 4" Hurricane Jet Internals

200 per box / 20 per bag



23544-077-000  
Smooth



23545-171-000  
5-Scallop; Textured



23544-072-000  
Stainless Steel

\*Indicates special order only parts

# 400 Series Hurricane Jets

## 400s Hurricane Jet Bodies

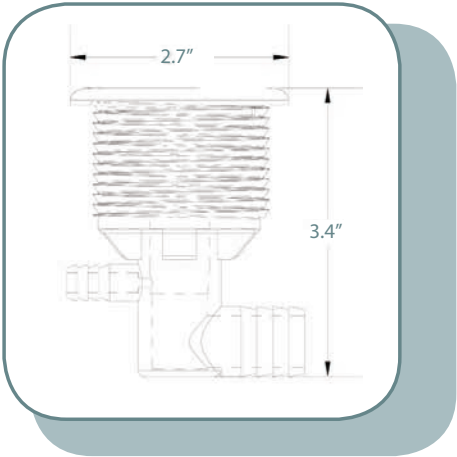
180 per box / 20 per bag

- Opposite Side Water and Air Connections
- Compensator Ring and Gasket Sold Separately
- Fits 3" and 4" Hurricane Jet Internals
- Max Torque Value: 19.9 ft lbs.
- Hole Size: 2-1/8"  
2-5/16" (with L-Gasket)



**Bodies:**

- 23431-000 3/4" RB Water x 3/8" RB Air
- 23431-200 3/4" SB Water x 3/8" SB Air



## Accessories



**300s L-Gasket**  
1700 per box  
23431-000-030



**300s Compensator Ring**  
23431-000-050



**300s and 400s Jet Wrench**  
23431-000-100

## 500 Series Hurricane Jets

---

### Directional 5" Hurricane Jet Internals 60 per box



23552-011-000  
Smooth



23551-111-000  
5-Scalloped; Textured



23552-012-000  
Stainless Steel

### Rotational 5" Hurricane Jet Internals 60 per box



23552-027-000  
Smooth



23551-121-000  
5-Scalloped; Textured



23552-022-000  
Stainless Steel

### Double Rotational 5" Hurricane Jet Internals 60 per box



23552-051-000  
Smooth



23551-151-000  
5-Scalloped; Textured



23552-052-000\*  
Stainless Steel

\*Indicates special order only parts

## 500 Series Hurricane Jets

### Pulsating Massage 5" Hurricane Jet Internals *60 per box*



23552-071-000\*  
Smooth



23551-171-000  
5-Scalloped; Textured



23552-072-000  
Stainless Steel

### Pulsator 5" Hurricane Jet Internals *60 per box*



23552-031-000\*  
Smooth



23551-131-000  
5-Scalloped; Textured



23552-032-000  
Stainless Steel

### Twin Spin 5" Hurricane Jet Internals *60 per box*



23552-041-000  
Smooth



23551-141-000  
5-Scalloped; Textured



23552-042-000  
Stainless Steel

\*Indicates special order only parts

## 500 Series Hurricane Jets

### 500s Hurricane Jet Bodies

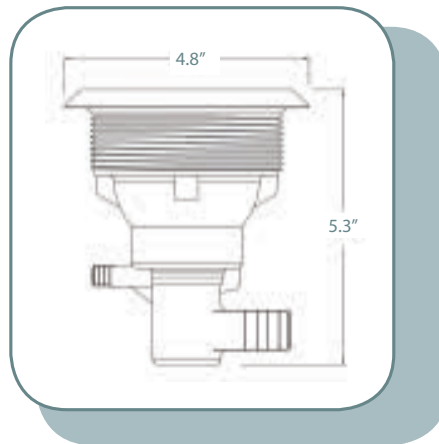
60 per box

- Opposite Side Water and Air Connections
- Compensator Ring and Gasket Sold Separately
- Max Torque Value: 35.4 ft lbs.
- Hole Size: 3-3/4"  
3-7/8" (with L-Gasket)

#### Bodies:

23451-000 3/4" RB Water x 3/8" RB Air

23451-200 3/4" S Water x 3/8" RB Air



## Accessories



**500s L-Gasket**  
23451-000-030



**500s Compensator Ring**  
23451-000-050



**500s Jet Wrench**  
23451-000-100

## 600 Series Hurricane Jets

---

### Directional 6.5" Hurricane Jet Internals *60 per box*



23565-012-000  
Stainless Steel

- Fits 5" Bodies

### Rotational 6.5" Hurricane Jet Internals *60 per box*



23565-022-000  
Stainless Steel

- Fits 5" Bodies

### Twin Spin 6.5" Hurricane Jet Internals *60 per box*



23565-042-000  
Stainless Steel

- Fits 5" Bodies

## 2-1/2" Classic Poly Jets

---

### Directional 2-1/2" Classic Poly Jet Internals

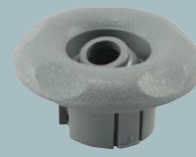
200 per box / 20 per bag



23520-011-000  
Smooth



23520-111-000  
5-Scallop



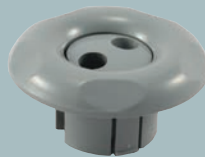
23521-111-000  
5-Scallop; Textured

### Pulsator 2-1/2" Classic Poly Jet Internals

200 per box / 20 per bag



23520-031-000  
Smooth



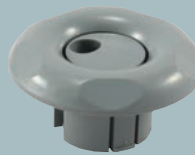
23520-131-000  
5-Scallop



23521-131-000  
5-Scallop; Textured

### Whirly 2-1/2" Classic Poly Jet Internals

200 per box / 20 per bag



23520-121-000  
5-Scallop

## 2-1/2" Classic Poly Jets

### 2-1/2" Classic Poly Jet Bodies

200 per box

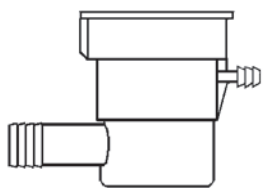
- Fits all 2-1/2" Classic Poly Jet Faces
- Includes Complete Body Assembly
- Opposite Side Water and Air Connections

#### Bodies:

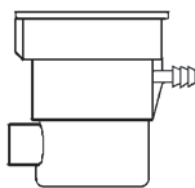
23420-000      3/4" RB Water x 3/8" RB Air

23420-100      1/2" S Water x 3/8" RB Air

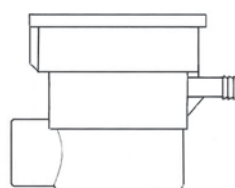
23420-200\*      3/4" S Water x 3/8" RB Air



23420-000



23420-100



23420-200

## Accessories



### 2-1/2" Poly Jet Wrench

800 per box

23520-000-000

\*Indicates special order only parts

## 3-1/2" Classic Poly Jets

---

### Directional 3-1/2" Classic Poly Jet Internals *100 per box*



23530-011-000  
Smooth



23530-111-000  
5-Scallop



23531-111-000  
5-Scallop; Textured

### Rotational 3-1/2" Classic Poly Jet Internals *100 per box*



23530-021-000  
Smooth



23530-121-000  
5-Scallop

### Double Rotational 3-1/2" Classic Poly Jet Internals *100 per box*



23530-131-000  
5-Scallop



23531-131-000  
5-Scallop; Textured

## 3-1/2" Classic Poly Jets

### Pulsator 3-1/2" Classic Poly Jet Internals *100 per box*



23532-131-000  
5-Scallop



23533-131-000  
5-Scallop; Textured

### Massage 3-1/2" Classic Poly Jet Internals *100 per box*



23530-041-000  
Smooth



23530-141-000  
5-Scallop

## 3-1/2" Classic Poly Jets

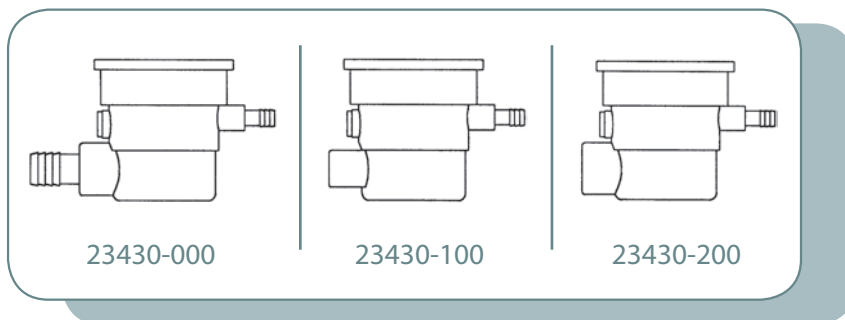
### Opposite Side Water/Air Connection 3-1/2" Classic Poly Jet Bodies

100 per box

- Includes Complete Body Assembly
- Fits all 3-1/2" and 4" Jet Internals Styles

#### Bodies:

|            |                             |
|------------|-----------------------------|
| 23430-000  | 3/4" RB Water x 3/8" RB Air |
| 23430-100  | 1/2" S Water x 3/8" RB Air  |
| 23430-200* | 3/4" S Water x 3/8" RB Air  |



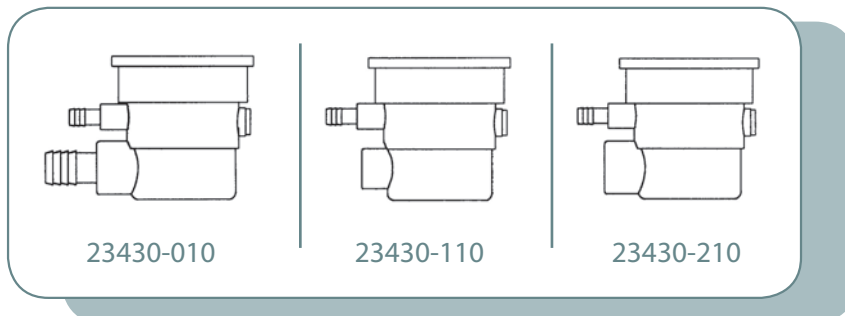
### Same Side Water/Air Connection 3-1/2" Classic Poly Jet Bodies

100 per box

- Includes Complete Body Assembly
- Fits all 3-1/2" and 4" Jet Internals Styles

#### Bodies:

|            |                             |
|------------|-----------------------------|
| 23430-010  | 3/4" RB Water x 3/8" RB Air |
| 23430-110  | 1/2" S Water x 3/8" RB Air  |
| 23430-210* | 3/4" S Water x 3/8" RB Air  |



\*Indicates special order only parts

## 3-1/2" Classic Poly Jets

### 1" S Water x 1" S Air 3-1/2" Classic Poly Jet Bodies

50 per box

- Includes Complete Body Assembly
- Fits all 3-1/2" and 4" Jet Internals Styles
- Pressure Test Plug Available (PN 23430-500-010)

#### Bodies:

23430-500     1" S Water x 1" S Air

#### 3-1/2" Poly Test Plug

23451-000-050



23430-500

## Accessories



#### 3-1/2" Poly Jet Wrench

224 per box

23451-000-100

## 4" Classic Poly Jets

---

Directional 4" Classic Poly Jet Internals  
*100 per box*



23540-111-000  
5-Scallop

Double Rotational 4" Classic Poly Jet Internals  
*100 per box*



23540-131-000  
5-Scallop

Massage 4" Classic Poly Jet Internals  
*100 per box*



23540-141-000  
5-Scallop

## 4" Classic Poly Jets

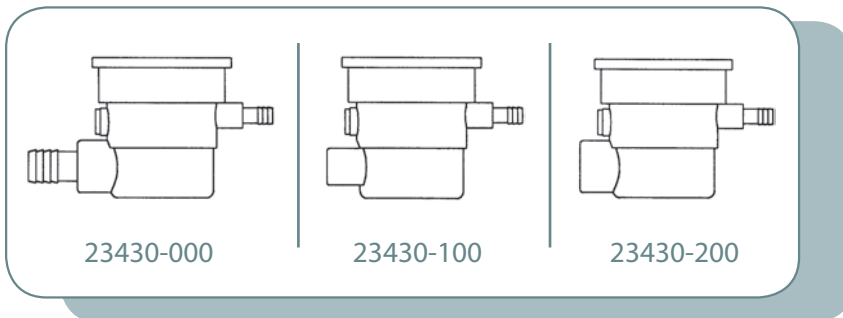
### Opposite Side Water/Air Connection 4" Classic Poly Jet Bodies

100 per box

- Includes Complete Body Assembly
- Fits all 3-1/2" and 4" Jet Internals Styles

#### Bodies:

|            |                                    |
|------------|------------------------------------|
| 23430-000  | <b>3/4" RB Water x 3/8" RB Air</b> |
| 23430-100  | <b>1/2" S Water x 3/8" RB Air</b>  |
| 23430-200* | <b>3/4" S Water x 3/8" RB Air</b>  |



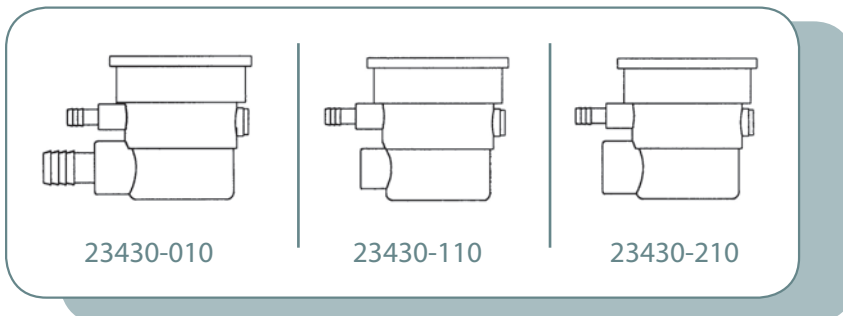
### Same Side Water/Air Connection 4" Classic Poly Jet Bodies

100 per box

- Includes Complete Body Assembly
- Fits all 3-1/2" and 4" Jet Internals Styles

#### Bodies:

|            |                                    |
|------------|------------------------------------|
| 23430-010  | <b>3/4" RB Water x 3/8" RB Air</b> |
| 23430-110  | <b>1/2" S Water x 3/8" RB Air</b>  |
| 23430-210* | <b>3/4" S Water x 3/8" RB Air</b>  |



\*Indicates special order only parts

## 4" Classic Poly Jets

---

### 1" S Water x 1" S Air 4" Classic Poly Jet Bodies

50 per box

- Includes Complete Body Assembly
- Fits all 3-1/2" and 4" Jet Internals Styles
- Pressure Test Plug Available (PN 23430-500-010)



#### Bodies:

23430-500      1" S Water x 1" S Air

#### 4" Poly Test Plug

23451-000-050



## Accessories



#### 4" Poly Jet Wrench

224 per box  
23451-000-100